

FDB-16F for HUAWEI Waterproof MINI SC Connector

FDB-16F is a terminal box can connect the drop cable with feeder cable in FTTX network, 16 users service requirement can be accommodated. Cable splicing, splitting, storage and management can be done in one.



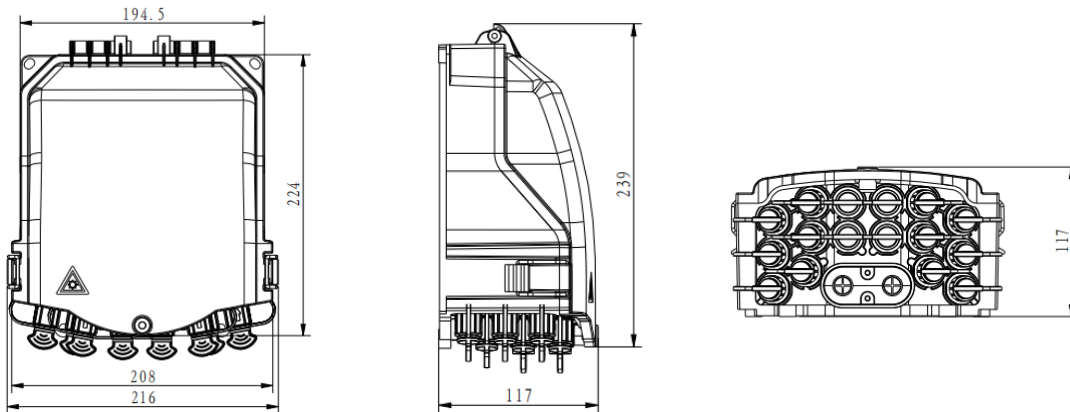
Features

- The body is made of high quality engineering plastic with good strength.
- With safe special shaped lock, the box can be opened easily, without reopen the box when connecting the preconnected drop cables
- Good water resistance to be used indoor or outdoor
- Double page design, feeder cable can be placed by expression port, easy to be installed and maintained
- Can accommodate steel tube splitters, patch cord or termination and splicing are separated completely
- IP65 grade, wall mounted, pole mounted

Technical Parameters

Item	Parameter
Model	FDB-16F HUAWEI Waterproof MINI SC Box
Installation Way	Outdoor Aerial or wall mounted, pole mounted, buried
Material	ABS +PC, ABS
Cable port	Input 14mm cable, Output HUAWEI SC mini waterproof connector
Max Capacity	16 Core, Can with 2x1:8 steel tube splitter
Color	Black or Gray
Size	208*241*117mm

Product Drawing:



Specification

1.Environmental requirement

Working temperature: $-40^{\circ}\text{C}\sim+85^{\circ}\text{C}$

Relative humidity: $\leq 85\%$ ($+30^{\circ}\text{C}$)

Atmospheric pressure: $70\text{KPa}\sim 106\text{Kpa}$

2.Main technical datasheet

Insertion loss: $\leq 0.15\text{dB}$

UPC return loss: $\geq 50\text{dB}$

APC return loss: $\geq 60\text{dB}$

3.Thunder-proof technical datasheet

The insulation resistance between the grounding device and the metal parts of the box is no less than $2'104\text{M}\Omega/500\text{V}$ (DC); $\text{IR}\geq 2'104\text{M}\Omega/500\text{V}$.

The voltage resistance between the grounding device, and the box and its metal parts is no less than 3000V (DC)/min, no puncture, no flashover; $\text{U}\geq 3000\text{V}$