

24F GPJ09 FOSC Mechanical Fiber Optical Splice Closure



24F GPJ09 is a mechanical sealing fiber optic splice closure designed with reliable and spectacular buckle and cable down routing as extra protection for the cables with protection grade IP55 , it accommodate max capacity is 24 cores , 2pcs 1x8 splitters

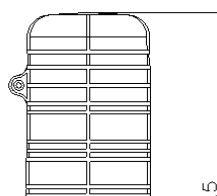
Features

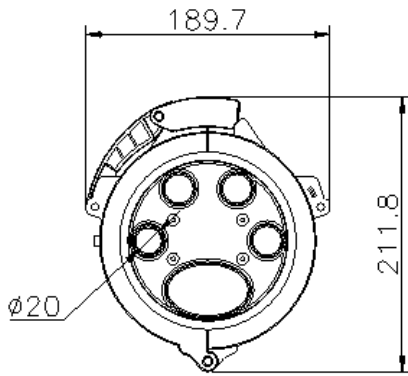
- High strength dust proof and waterproof function , suitable for aerial installation
- The box body adopt push pull mechanical locking mode, with design of buckle type, easy to operate, reusable and reliable
- Adapter and splitter can be assembled , 18pcs adapter can be equipped UV, 2pcs micro splitter
- IP55 grade, two tier system, bottom for splicing and top for splitting distribution
- Drop cable can be down routing to improve the protection grade

Technical Parameters

Item	Parameter
Model	IP 55
Installation Way	Outdoor Aerial
Cable port	10-16mm cable, 16 drop cable ports
Max Capacity	24 fiber, 2 pcs micro splitter 1x8
Weight	3-3.5kg
Size	600*155*95mm, 630*170*105mm(one piece carton size)

Product Drawing:





Accessories:

Item	name	Specification	unit	Qty(pcs)	remark
1	tube	D=Φ4mm thickness 0.6mm,white	M	2	
2	Cable splitter	Size:	PCS	1	
3	Silver platter	15cm*10cm (with adhesive)	PCS	1	
4	Heat shrinkable tube	Φ30*100mm/black	PCS	4	
5	Heat shrinkable tube	Φ60*150mm/black	PCS	1	
6	Plastic cable tie	3mm*120mm/white	PCS	5	
7	Splice protect sleeve	60MM*3.0*1.5	PCS	/	As per fiber qty
8	Insulating tape	0.15*17mm*8 /black	PCS	1	
9	Magic tape	350MM*15MM*3MM/black	PCS	1	
10	Abrasive paper	320# (280*60mm)	PCS	1	
11	Aerial kits	201 stainless steel	sets	1	

Optional accessories:

Item	Name	Model	Qty	Remark
1	Pole-mount kits	CV010-76	1set	
2	Splice tray	OST-026	5pcs	Max. for 5pcs