

Fiber Optic Horizontal Closure H02



The H02 splice closure with ABS material can provide splicing and splitter with max 48 fiber. It is widely applied to cable splicing and distributing variable fiber optical cables

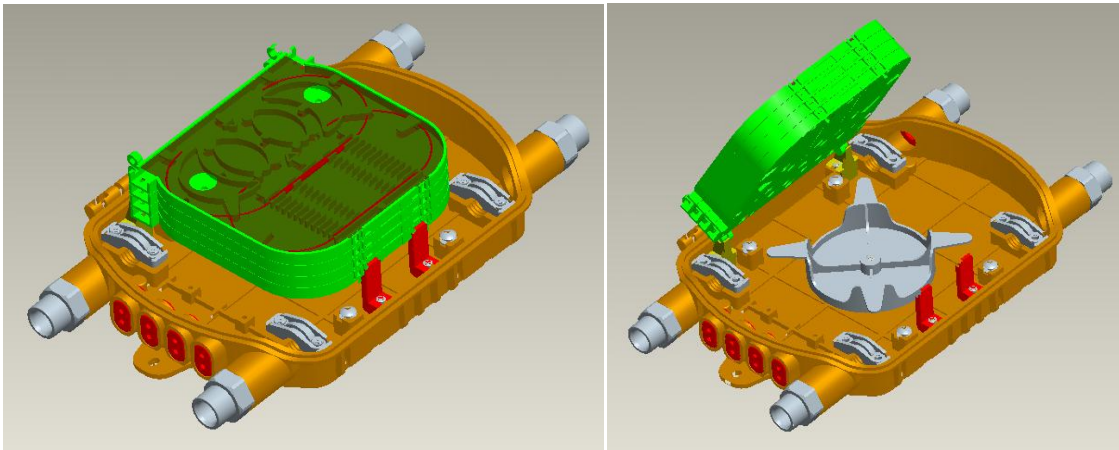
Features

- Material is ABS, water-proof, dust-proof, anti-aging, light weight
- Cable input and output is mechanical sealing with protection level up to IP65
- Special double D Box body design
- Rotary internal structure, upper stratum for splicing and distributing, substratum is for cable management

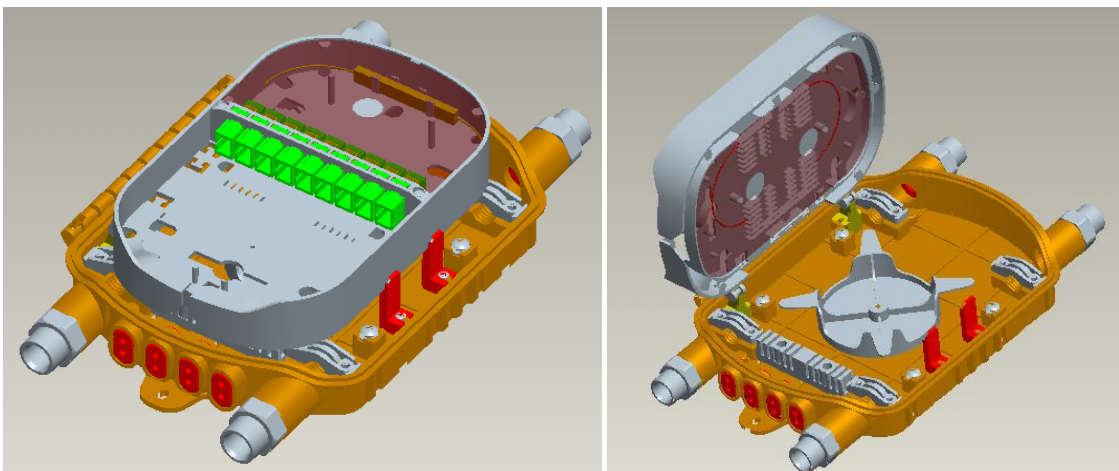
Configuration and Package

Carton size	G.W.	Qty/ctn
39*30*44cm	15KG	10pcs

Product



Model	H02
Material	ABS
Max Capacity	48c
Splice Tray	4pcs 12fiber
Cable Port	2 in 2 out
Port Diameter	2pcs ϕ8mm;2pcs ϕ12mm
Dimension	276*171.8*75.7



Model	H02A
Material	ABS
Max Capacity	12c
Splice Tray	1pcs 12fiber
Cable Port	2 in 2 out
Max Adapter Port	9pcs SC simplex adapter
Port Diameter	2pcs ϕ8mm;2pcs ϕ12mm
Splitter	1*8 or 1*16 one piece steel tube type splitter
Dimension	276*171.8*75.7