

Dome Fiber Optic Splice Closure DC120A



The dome fiber optic splice closure DC120A is providing effective cable splicing space and protection under outdoor environment with max 120 core fiber splicing. It is heat sealing splice closure.

Fiber Zip Technology offers a range of fiber splice closure support 12c to 288C fiber splicing protection in aerial, duct, wall mounted applications. They are UV, water and weather leak proof.

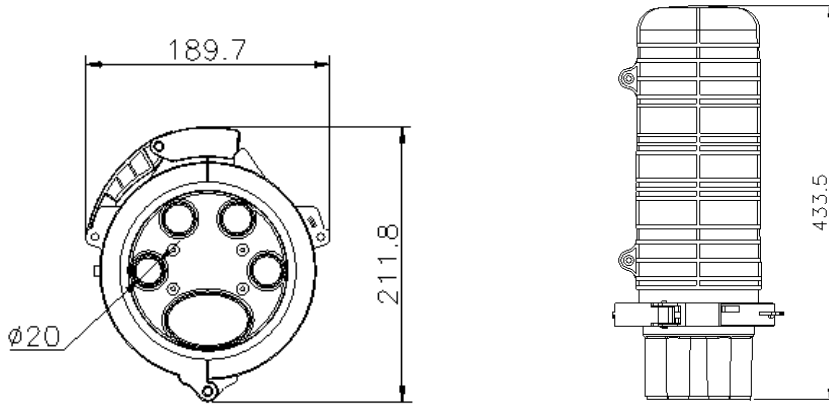
Features

- Inner side material is ABS, outer shell with PP material with high UV impact resistance.
- Max 24fibers for one splice tray, max 5pc splice tray.
- 4 round ports $\phi 20\text{mm}$, 1pc oval port for supporting cable entry without cutting. All cable ports are heat shrink sealing
- UV, water, weather proof
- IP68 grade, wall mounted, aerial, pole mounted, buried

Technical Parameters

Item	Parameter
Model	IP 68
Installation Way	Outdoor Aerial or wall mounted, pole mounted, buried
Material	ABS and PP
Cable port	4 round port $\phi 20\text{mm}$, one oval port
Curvature Radius	$\geq 15\text{mm}$
Max Capacity	120 fiber
Splice Tray	5pcs 24fiber
Size	433.5*211.8mm

Product Drawing:



Accessories:

Item	name	Specification	unit	Qty(pcs)	remark
1	tube	D=Φ4mm thickness 0.6mm,white	M	2	
2	Cable splitter	Size:	PCS	1	
3	Silver platter	15cm*10cm (with adhesive)	PCS	1	
4	Heat shrinkable tube	Φ30*100mm/black	PCS	4	
5	Heat shrinkable tube	Φ60*150mm/black	PCS	1	
6	Plastic cable tie	3mm*120mm/white	PCS	5	
7	Splice protect sleeve	60MM*3.0*1.5	PCS	/	As per fiber qty
8	Insulating tape	0.15*17mm*8 /black	PCS	1	
9	Magic tape	350MM*15MM*3MM/black	PCS	1	
10	Abrasive paper	320# (280*60mm)	PCS	1	
11	Aerial kits	201 stainless steel	sets	1	

Optional accessories:

Item	Name	Model	Qty	Remark
1	Pole-mount kits	CV010-76	1set	
2	Splice tray	OST-026	5pcs	Max. for 5pcs