

## FIBER DISTRIBUTION BOX FDB-24M



### Description

FDB-24M is outdoor distribution box with waterproof grade IP54 with maximum 24 SC adapters loaded.

It is providing mechanical protection for the fiber management system, can realize splicing, patching in one box for FTTx projects to be pole or wall mounted installed.

### Features

- The box cover open can be positioned 90 or 180 degree with positioning device
- Fiber splice tray and PLC splitter tray be optional to meet flexible requirement
- Can be locked by key lock or side hasps
- Can equip with PLC splitter tray, accommodate 1x8 or 1x16 micro PLC splitter
- 24ports for SC adapters without flange
- To be suitable for indoor and outdoor application
- Flame retardant, impact resistance engineering plastic material with protection level IP54

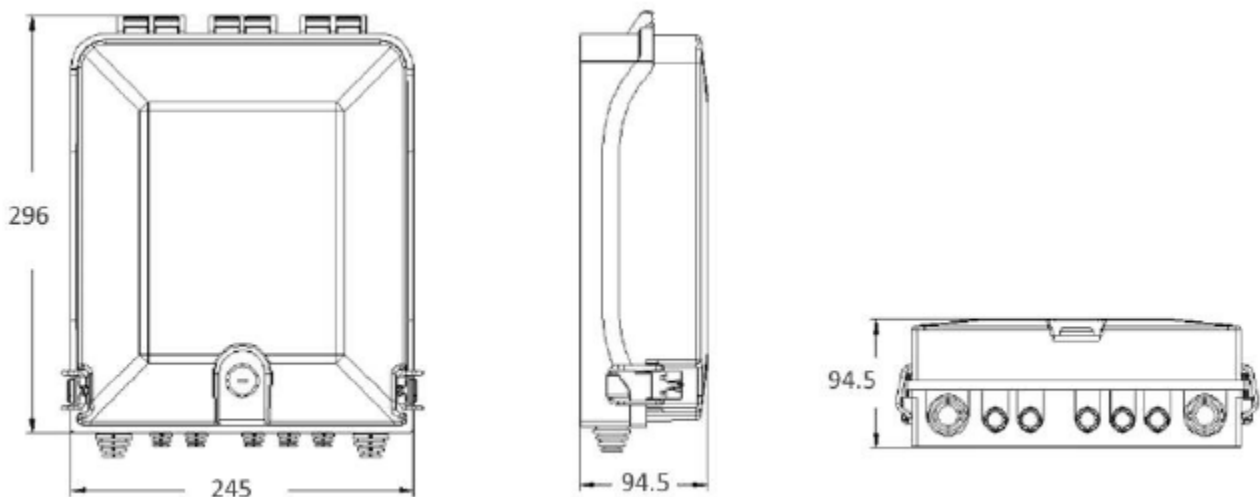
### Application

- Widely used in FTTH access network.
- FTTD (Fiber to desk), FTTO
- CATV Networks
- PON networks

## Technical Parameters

Item	Parameter
IP grade	IP 54
Installation Way	Indoor/outdoor wall mounted, pole mounted
Max Cable Diameter	Max Input 2×φ22mm, max output 8×φ10mm or 4×φ11mm
Cable Entries	Supporting Uncut
Insertion loss	≤0.2dB (1310nm & 1550nm)
Curvature Radius	≥15mm
Adaptors&Splitter	24 SC simplex, 1x8 splitter, 1x16 splitter
Size	254*296*94.5 mm
Flame resistance	V0
Gross Weight/ Dimension	14 kg/6pcs 530*350*400mm
Seal material of the box	EPDM
Optional Accessories	adapter, pigtail, splitters
Seal material of the ports	Rubber
Using temperature	-40oC~+75oC
Air Pressure	70kPa-106kPa

## Dimension Drawing



## More Details of FDB 24M:

## Side lock Hasp



## Positioning Device of the Box Cover



90 open degree

180 open degree

Fixed in the cover when it is free.

## ABS Splice Tray and Splitter Tray 115x144x10mm

