

PLC FIBER OPTIC SPLITTER ABS MODULE

PLC fiber optic splitter or Planar Lightwave Circuit Splitter is one of ideal component for future network expansion by offering high stable performance and stability. It is a splitter suitable for multiple operating wavelengths(1260-1650nm) with equal splitting ratio in small size compact configuration.

PLC Fiber Optic Splitter ABS Module is usually with 0.9mm or 2.0mm, 3.0mm fiber packed in ABS box to do splicing or direct patch with adapters. The ABS box providing complete protection for the device and cable to be used widely in distribution network and various connection.

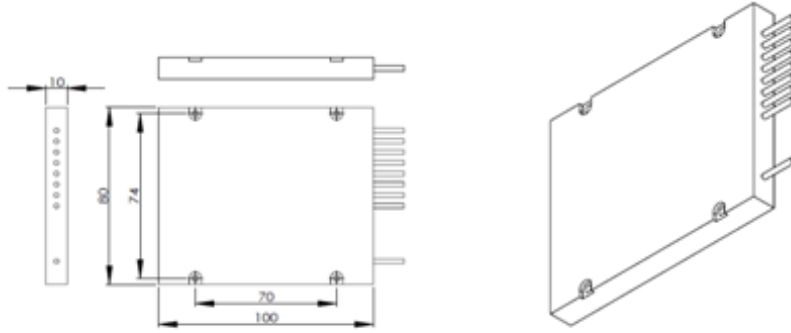
Features

- Single mode, multimode fiber splitter available
- ABS box can have 0.9mm, 2.0mm, 3.0mm fiber cable terminated with or without connectors
- Connectors: FC, LC, ST, MU SC with PC , APC endface allows seamless integration into existing system
- Package designed to deliver on size, shape, or ruggedness requirements defined by particular project.
- Equal splitting ratio for all branches.
- High stability, good uniformity, low failure rate
- Good option for multiple operating wavelength
- 1xN and 2xN splitters available

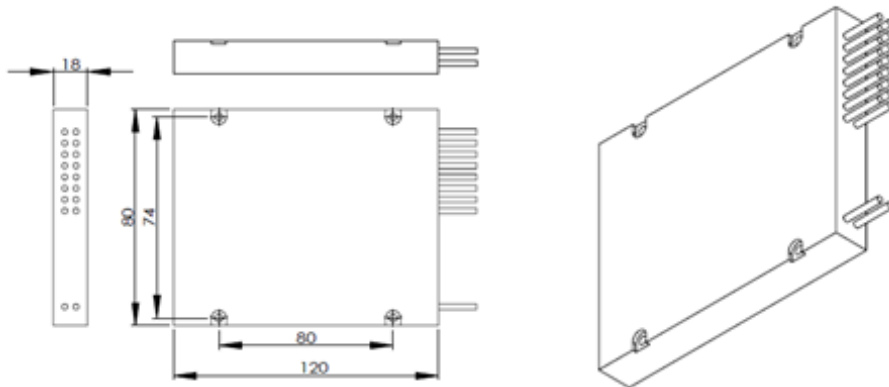
Specification:

Parameters	1x2	1x4	1x8	1x16	1x32	1x64	1x128
Fiber Type	G657A1 or customer specified						
Insertion Loss (dB) (P/S Grade)	3.8/4.0	7.1/7.3	10.2/10.5	13.5/13.7	16.5/16.9	20.5/21.0	23.8/24.2
Loss Uniformity (dB)	0.4	0.6	0.8	1.2	1.5	2.0	2.5
PDL(dB)	0.2	0.2	0.2	0.25	0.3	0.35	0.4
Return Loss (dB) (P/S Grade)	55/50	55/50	55/50	55/50	55/50	55/50	55/50
Directivity (dB)	55	55	55	55	55	55	55
Wavelength Dependent Loss (dB)	0.3	0.3	0.3	0.5	0.5	0.5	0.5
Temperature Stability (-40~85 °C)(dB)	0.4	0.4	0.4	0.5	0.5	0.5	0.5
Device Dimension (mm)	40x4x4	40x4x4	40x4x4	50x4x4	50x7x4	60x12x4	N/A
Module Dimension (mm)	100x80x10	100x80x10	100x80x10	120x80x18	140x115x18	140x115x18	140x115x18
Mini-Module Dimension (mm)	50x7x4	50x7x4	50x7x4	60x12x4	80x20x6	100x40x6	N/A

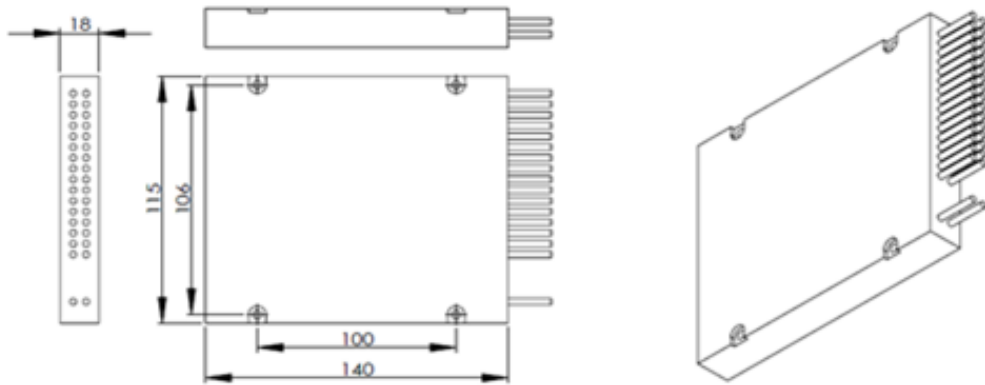
Structure



100X80X10 \pm



120X80X18 \pm



140X115X18 \pm

